



QUATRO

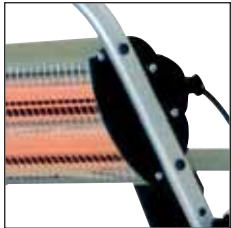
QUICK DRYING SYSTEM

Fillon
Technologies™

QUATRO

HIGHLY PORTABLE AND EFFICIENT

QUATRO >



2 models: Power
2200 W or 3200 W



2 timers; 1/2 and full power

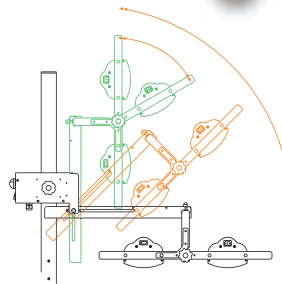
ADVANTAGES

Adjustable heating power 1/2 and full power (dissolution/curing) to optimise the repair process.

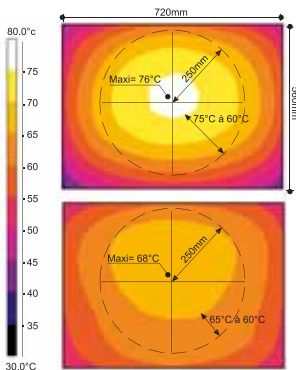
Fast, even drying over large areas, doors, wings, etc.

Ergonomic and comfortable to use, four directional wheels makes it easy to move in the preparation areas.

Versatile: the heating ramps can be adjusted and directed for vertical, horizontal and angled surfaces.

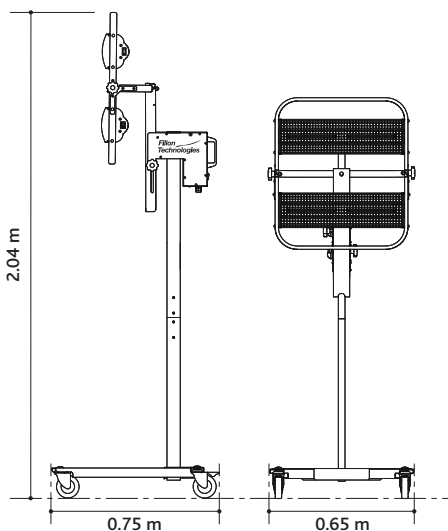


Outstanding modularity.
Adjusting and angling to dry
any shape or contour.



Standard dryer
3 x 1100 W
10 minutes at 55 cm
hot point to cold
point spread 16°C

Fillon Technologies dryer
3 x 1100 W
10 minutes at 55 cm
hot point to cold
point spread 8°C



QUATRO 2200

Programming	1/2 and full power
Drying height	From 0.20 to 1.95 m
Drying area	1.10 x 0.90 m
Drying distance	0.60 m vertically, 0.80 m horizontally
Total weight	25 kg
Power	2200 W 230 V~ 10 A
Lamps	2 short-wave 1100 W infrared lamps

QUATRO 3200

Programming	1/2 and full power
Drying height	From 0.20 to 1.95 m
Drying area	1.10 x 0.90 m
Drying distance	0.60 m vertically, 0.80 m horizontally
Total weight	25 kg
Power	3200 W 230 V~ 14 A
Lamps	4 short-wave 800 W infrared lamps



ISO 9001: 2000



Fillon
Technologies™

28210 FAVEROLLES – FRANCE
Tél. 33 (0)2 37 38 66 10 – Fax 33 (0)2 37 51 95 22
sales@fillontech.com – www.fillontech.com